

# *Eagle*<sup>®</sup>



**ELGIN**<sup>®</sup>  
Subsidiary of Federal Signal Corporation



## POWERFUL, PROVEN, SINGLE ENGINE **MECHANICAL SWEEPER**

If you need a proven mechanical broom sweeper with reliable heavy duty performance, high dump capability and superior operator comfort look to the Elgin Eagle. The Eagle, first introduced as part of the Elgin family of sweepers in 1988 has been continuously improved, retaining all of the features that made it popular. These include a simplified dual-engine design, increased operator efficiency and productivity, along with the latest technology for superior results. If you haven't tried sweeping with the Eagle – now is the time to take another look.

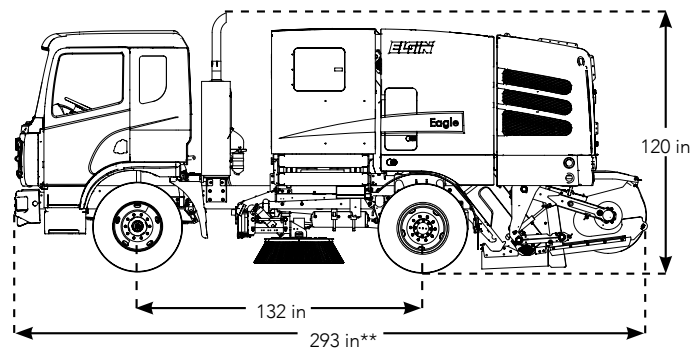






## RELIABLE, HEAVY-DUTY, VERSATILE **Eagle**<sup>®</sup>

- Sweep system is powered by a low emission, 74 hp Cummins diesel engine, (55 kW @ 2500 RPM), one of the most powerful standard auxiliary engines available on a mechanical sweeper.
- Control console, located between the operator stations, provides quick, easy access for increased productivity and safe operation.
- Dual free-floating gutter brooms adjust to variable road surfaces, a sweep path of 10 ft (305 cm) and a powerful free floating direct-drive main broom, ensure reliable and complete pickup of debris.
- Superior dust control is maintained with an in-cab zone-controlled diaphragm water pump and a 360 gal (1,363 L) water tank for long sweep times between refills.
- 4.5 cu yd (3.4 m<sup>3</sup>) hopper features a center mounted double-scissors lifting mechanism for greater stability and trouble-free operation. Dumping height is variable up to 11 ft, 2 in (3,404 mm) and an 11 in (279 mm) side shift enables a cleaner more efficient unloading of material.
- Flexible range of chassis choices including cab-over or conventional chassis. The cab-over chassis cab is dualized with OEM parts, including full factory controls, steering, and OEM gauge package that is identical for both left and right operator stations.



# INNOVATIONS **AT WORK**

A closer look at the Elgin Eagle reveals innovative design features, systems, and components that not only simplify operation and improve performance but also make maintenance and servicing faster and easier. The result is the optimal efficiency of your operations, as you reduce maintenance requirements and downtime. The Elgin Eagle brings you an array of innovative systems including:



## Commercial Chassis Engine

---

Conventional chassis are built for sweeping and provide outstanding visibility, comfort, safety, and productivity. The short wheel base and unique steering geometry allow maximum maneuverability. A choice of Freightliner or International conventional chassis are also available.

## Pause Sweep

---

To further improve both fuel efficiency and sweep component life, the sweep system can automatically pause when the sweeper is not sweeping and re-engages immediately upon vehicle movement without leaving any material behind.





# BUILT TO LAST

## Large, Variable Dump Height Hopper

---

The hopper has a capacity of 4.5 cu yd (3.4 m<sup>3</sup>) and a variable dump height between 38 in and 11 ft - 2 in. The double scissor hoist provides a payload of 10,000 lbs (4,436 kg) and incorporates an 11 in (279 mm) side shift and a 50° dump angle to deposit material nearer the center of the dump truck. All controls are operated from the in-cab control console.



## Main Broom

---

The main broom is attached to a fully floating trailing arm to better conform to road contours. Performance is optimized using mechanical main broom suspension that dynamically adjusts to various road conditions while on-the-go. Lift and lower functions are controlled from the cab. Main broom arm bearings are sealed, can be re-lubricated and are self-aligning for self-adjustment when experiencing an uneven load which decreases wear and increases main broom life.



## Side Brooms

---

46 in (1,168 mm) trailing arm, free-floating side brooms offer four-way motion and protection against damaging impacts. Pneumatic lift and extension control enhances performance while sweeping within a 10 ft (3,048 mm) wide path.



## Simple, Easy-Access Maintenance

---

The Eagle was designed so that systems are accessible and easy to service. Large access doors allow for 180° accessibility to engine maintenance components. The hydraulic system with o-ring face seal fittings is designed for long life and leak-free operation. Heavy-duty waterproof electrical connectors and color-coded wires have stamped identification for quick location during troubleshooting. A stainless steel toolbox provides additional storage.



# UNIQUE APPLICATION VERSATILITY

The Eagle comes standard with a no-jam debris conveyor belt featuring molded-in full-width cleats that move debris without jamming. High-strength belt material provides long wear and maximum uptime. The Eagle is specifically designed to provide versatile and reliable performance in a wide range of applications including highway sweeping, general municipal sweeping, trash, leaves, and other organics.



## ELGIN CHEVRON BELT CONVEYOR

- Full-width angled cleats moves more material to hopper to maximize productivity.
- Direct-drive hydraulic motor for optimal power transfer to conveyor system.
- Improved hopper fill by throwing debris toward center of hopper.
- Heavy-duty poly/nylon belt construction resists stretching and requires fewer adjustments.
- Ribs between cleats enhance effectiveness of moving fine debris into hopper.



## ELGIN SQUEEGEE CONVEYOR

- Chain side-plate constructed from hardened steel for long life and smooth operation.
- Three-piece design for easy service without removing complete assembly.
- Thick, multi-ply rubber-edged flights efficiently moves debris into hopper.
- Unique, interlocking, wavy-plate joint design prevents excessive wear and “thumping” over plate seams.
- Abrasion-resistant steel floor for durability.
- Direct-drive hydraulic motor for optimal power transfer to conveyor system.

## ENHANCEMENTS



Lifeliner® hopper system



In-cab side broom tilt and extended reach



Lighting Packages

### ADDITIONAL ENHANCEMENTS

- Automatic lubrication system
- Broom camera system (rear standard)
- Front spray bar
- Carbide dirt shoes
- PM-10 dust suppression
- High-speed conveyor
- And more



## OUR COMMITMENT TO QUALITY ONLY BEGINS WITH OUR EQUIPMENT

The Elgin Eagle is manufactured in an ISO 9001 certified, advanced industrial plant. We employ the latest technology to build the most reliable equipment, including high-precision laser cutters, efficient, accurate computer numerical controls (CNC), and a sophisticated powder coating system.

When you build a quality product you can back it up with a full one-year, unlimited hours warranty. Elgin also backs up your investment with superior local service and support. Our goal is to keep your machine—and your entire operation—up and running.

The Eagle can be customized to your unique requirements to meet local standards and regulations by means of a broad selection of configurations, options and accessories.

Through our international dealer network, we maintain a vast inventory of spare parts and offer fast shipment to any region of the world.

Altogether, the rugged, reliable Elgin Eagle is easy to operate, easy to maintain, and an easy choice when you are looking for quality equipment that is built to last.



### Eagle Mechanical Sweeper Specifications

Engine	Electrical System	Dust Control System	Sweep System	Conveyor
<p><b>Make</b> Cummins QSF 2.8 L <b>Type</b> 4 cylinder <b>Displacement</b> 2.8 L <b>Horsepower</b> 74 @ 2500 RPM <b>Torque</b> 221 lb ft (299 Nm) <b>Aspiration</b> Turbo charged</p>	<p><b>Voltage</b> 12 VDC / negative ground <b>Alternator</b> 60 amp <b>Battery 2</b> 12v 1000 CCA <b>Circuit Protection</b> Activated by ignition switched constant duty solenoid <b>Wiring</b> Hot stamp identified with weatherproof connectors</p>	<p><b>Tank Construction</b> Polyethylene/SS <b>Tank Capacity</b> 360 gal (1,362 L) <b>Fill Hose</b> 16 in 8 ft (5,080 mm) with 2.5 in (64 mm) NST hydrant coupling <b>Pump</b> Electric diaphragm <b>Spray Nozzles</b> 9 total: 3 main, 3 left &amp; 3 right side brooms</p>	<p><b>Sweep System Pump</b> Triple section gear pump <b>Capacity</b> 13.5 GPM @ 1200 RPM <b>Fittings</b> O-ring face seal <b>Reservoir Capacity</b> 35 gal (132 L) <b>Inlet Strainer</b> 100 mesh <b>Return Filter</b> 6 micron</p>	<p><b>Type</b> Exclusive Chevron belt <b>Material</b> (belt) Rubber reinforced fabric <b>Speed</b> Variable, with auxiliary engine RPM <b>Lift Control</b> Hydraulic</p>



# Eagle®

## RELIABLE, HEAVY DUTY, VERSATILE MECHANICAL SWEEPER

For a sweep system with variable high dump capabilities and highway transport speeds, look no further than the Elgin® Eagle® four-wheel mechanical (broom) sweeper. Eagle sweepers are equipped with a no-jam conveyor or the optional elevator squeegee system, wide sweep path and an industry proven variable height lift system; 11 in (279 mm) of hopper side-shift ensures easy dumping. Built on a conventional or cab-over commercial chassis, the Elgin Eagle features a dual mode air suspension system, so an operator can go from a solid rear axle for dumping stability to a fully sprung chassis for operator comfort and control during high speed transport.

### WHY EAGLE?

- 74 hp Cummins Tier 4 final auxiliary engine
- 4.5 cu yd (3.4 m<sup>3</sup>) hopper standard
- Variable dump height up to 11 ft 2 in (3404 mm)
- 11 in (279 mm) hopper side shift for maximizing dump truck/container payload distribution
- Chevron conveyor belt system with patented interchangeability to squeegee system



**ELGIN®**  
Subsidiary of Federal Signal Corporation

Elgin Sweeper • 1300 West Bartlett Road, Illinois 60120 USA  
Phone 847-741-5370 | Parts & Service 877-800-1111

Specifications subject to change without notice. Some products shown with optional equipment. Elgin® is a registered trademarks of Elgin Sweeper. Products may be covered by one or more United States Patents and/or pending patent applications. Elgin Sweeper is a subsidiary of Federal Signal Corp. | Federal Signal Corp. is listed in the NYSE by the symbol FSS.